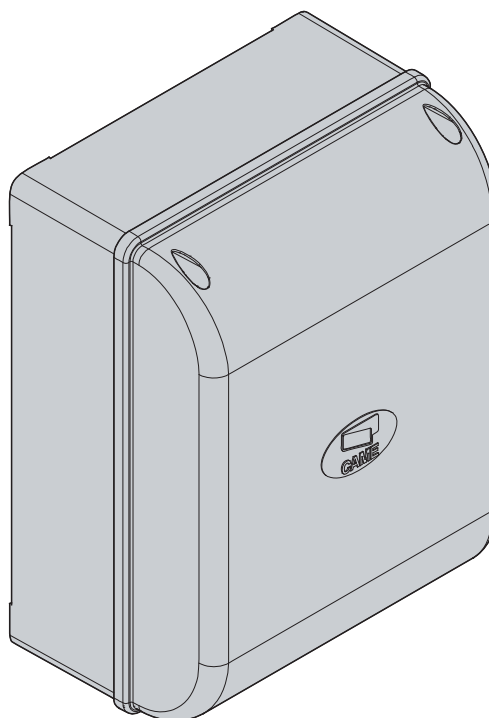


319V08EN

CONTROL PANEL
FOR 230V OPERATORS

Z SERIES



INSTALLATION MANUAL

ZA4N

English

EN

“IMPORTANT INSTALLATION, SAFETY INSTRUCTIONS”

“CAUTION: IMPROPER INSTALLATION MAY CAUSE SERIOUS DAMAGE, FOLLOW ALL INSTALLATION INSTRUCTIONS CAREFULLY”

“THIS MANUAL IS ONLY FOR PROFESSIONAL OR QUALIFIED INSTALLERS”



1 Legend of symbols



This symbol tells you what to say to the end-users.



This symbol tells you that the sections concern safety issues.



This symbol tells you what to say to the end-users.

2 Intended use and restrictions

2.1 Intended use

The ZA4N control panel is designed to control the 230V ATI, FERNI, KRONO, FAST and FROG swing gate operators.



The use of this product for purposes other than those described above and installation executed in a manner other than as instructed in this technical manual are prohibited.

2.2 Limits to use

The overall power of the motors must not exceed 600W.

3 Reference standards

For its quality processes management Came Cancelli Automatici is ISO 9001 certified, and for its environmental management it is ISO 14001 certified. CAME engineers and manufactures all of its products in Italy.

This product complies with the following standards: see declaration of conformity.

4 Description

This product is engineered and manufactured by CAME CANCELLI AUTOMATICI S.p.A. and complies with current safety regulations. Guaranteed 24 months if not tampered with.

The control panel works on 230V a.c. of power, 50/60Hz frequency.

The control devices and accessories are powered by 24V. Warning! The accessories must not exceed 20W overall.

All connections are protected by fast fuses, see table.

The board performs and controls the following functions:

- automatic closing after an opening command;
- pre-flashing of the flashing light;
- adjusting the motor torque on the connected automation device.

The command modes that may be defined are the following:

- opening/closing;
- opening/closing with maintained action;
- complete stop.

Following an obstacle detection, the photocells can:

- reopening if the gate is closing.

Expressly fitted trimmers adjust:

- duration of the automatic closing;
- M2 gearmotor closing delay;
- operating time.

It is also possible to connect:

- signalling lamp - gate open.

FUSES TABLE

protection:	fuse for:
Control board (line)	5A-F
Control devices and accessories (control unit)	1A-F

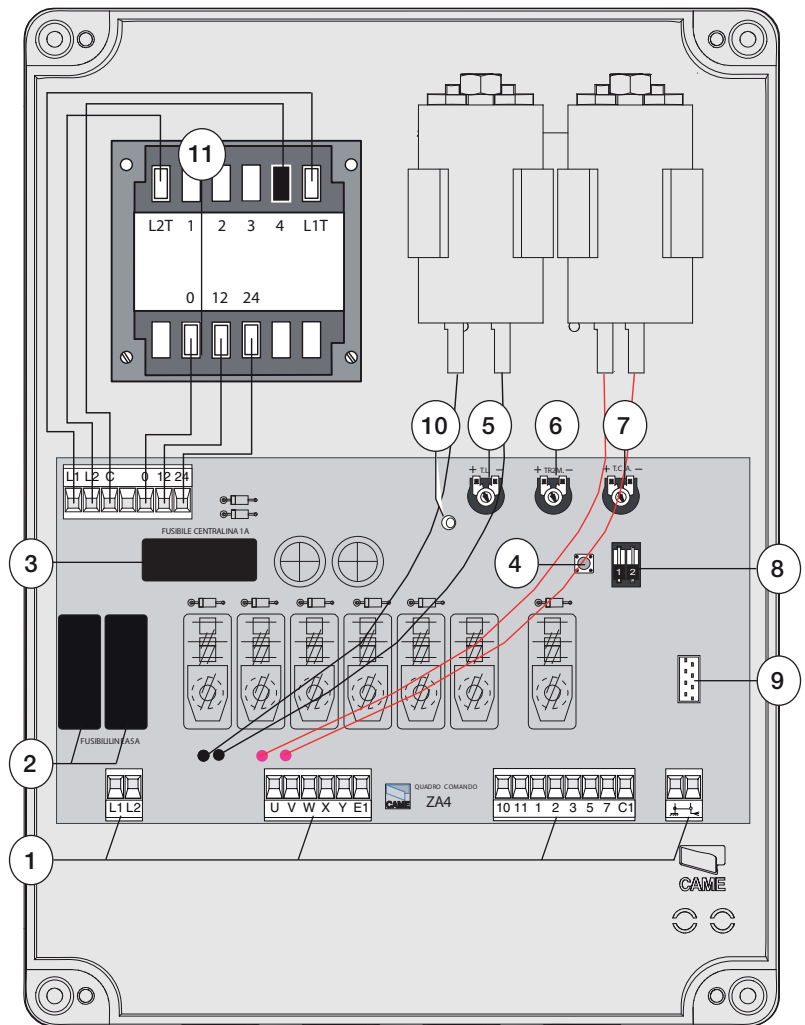
TECHNICAL FEATURES

power supply	230V - 50/60Hz
max power	600W
max power of 24V accessories	20W
insulation rating	
casing material	ABS
casing protection rating	IP54
operating temperature	-20 / +55°C

4.1 Main components

- 1 - Connection terminal boards
- 2 - Line fuse 5A
- 3 - Control unit fuse 1A
- 4 - Radio-code save buttons
- 5 - Trimmer TL: Operating time adjustment
- 6 - Trimmer delay on closing cycle motor n°2 adjustment
- 7 - Trimmer TCA: Automatic closing time adjustment
- 8 - 2-dip function switch (see pag.6)
- 9 - Socket AF radiofrequency board (see table)
- 10 - Signaling LED
- 11 - Motor torque regulator

N.B. FROG series: connect the black wires coming out of the board to the connectors of the first motor's condenser and the red wires to the second motor's condenser.




⚠ Warning! Before acting on the machinery, cut off the main power supply.

5 Installation

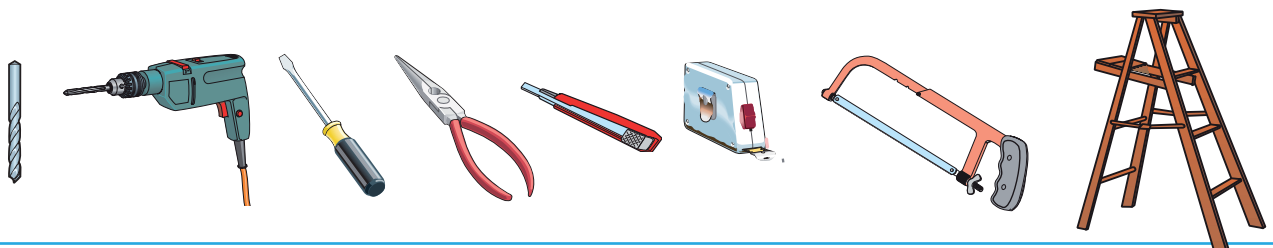
5.1 Preliminary checks

⚠ Before installing, do the following:

- Check that the panel's anchoring point is protected from possible blows, and that the anchoring surface is solid. Also check that the anchoring is done using the appropriate bolts, screws etc.
- Make sure you have a suitable omnipolar cut-off device with contacts more than 3 mm apart, and independent (sectioned off) power supply.
-  Make sure that any connections inside the case (that provide continuance to the protective circuit) be fitted with extra insulation as compared to the other conductive parts inside.
- Make sure you have suitable tubing and conduits for the electrical cables to pass through and be protected against mechanical damage.

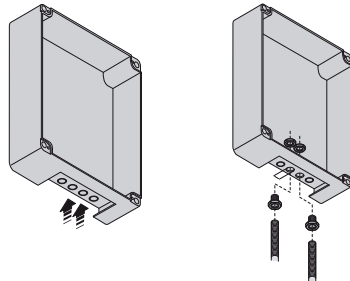
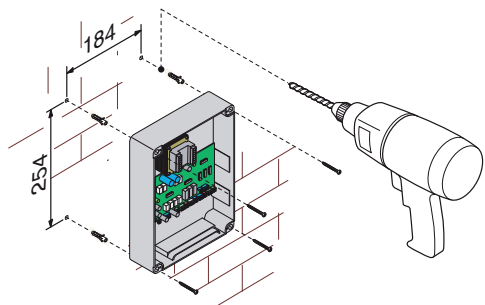
5.2 Tools and materials

Make sure you have all the tools and materials you will need for the installation at hand to work in total safety and compliance with the current standards and regulations.



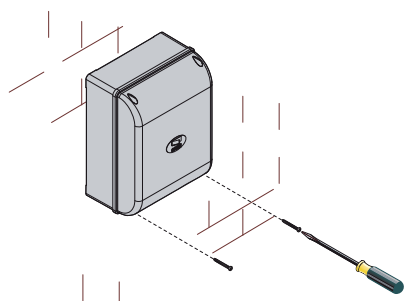
5.3 Fixing and mounting the casing

1) Fix the base of the panel in a protected area; we suggest using round top Phillips recessed head screws of max. 6mm in diameter.



2) Perforate the pre-punched holes and insert the cable glands with the corrugated tubing for the electrical cables to travel through.
N.B.: the pre-punched holes have the following diameters: 23, 29 e 37 mm.
Be careful not to damage the control board inside the control panel!!

3) After the adjustments and settings, fix the cover using the provided screws.

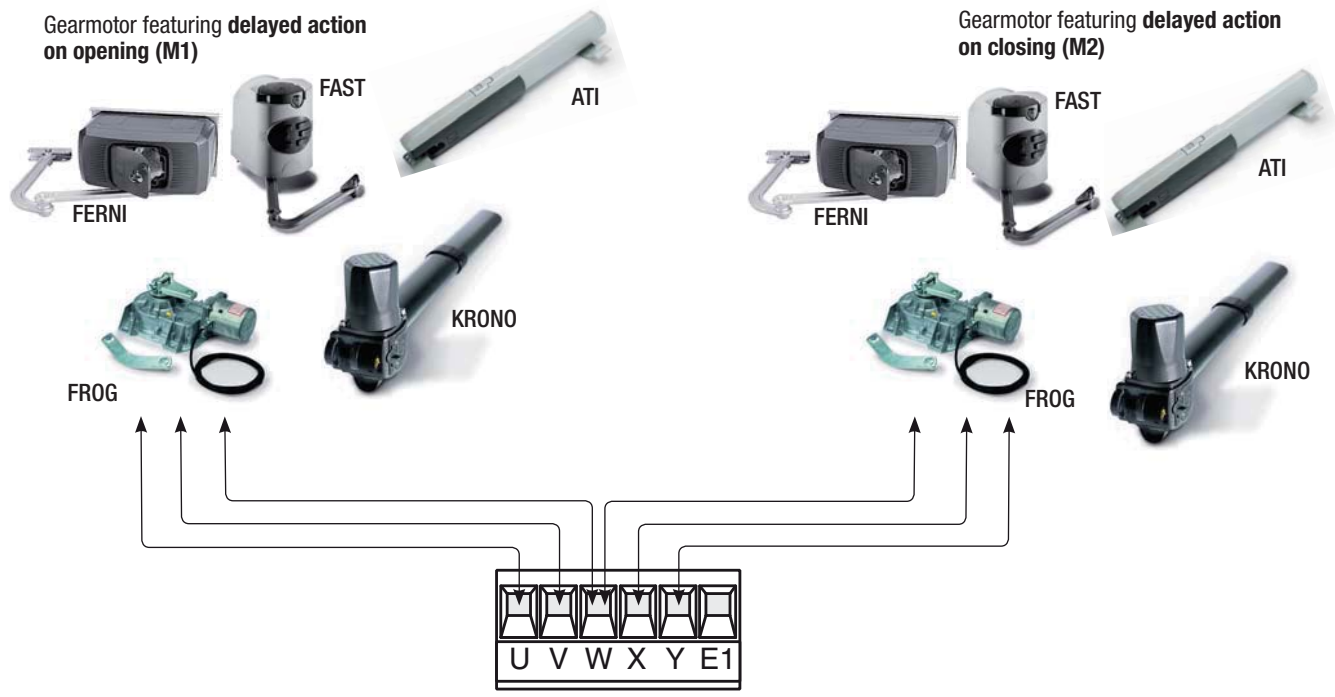


6 Electrical connections

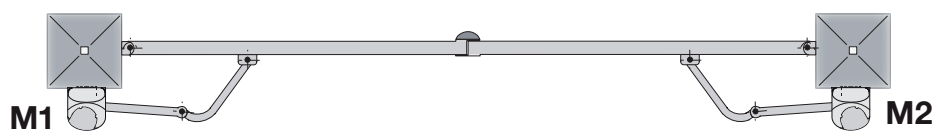
Gearmotor

Gearmotor featuring **delayed action on opening (M1)**

Gearmotor featuring **delayed action on closing (M2)**

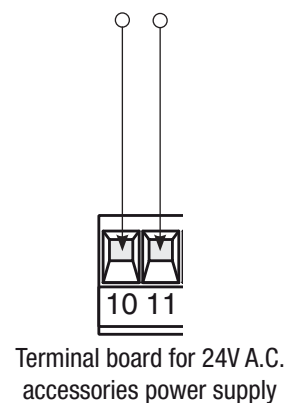
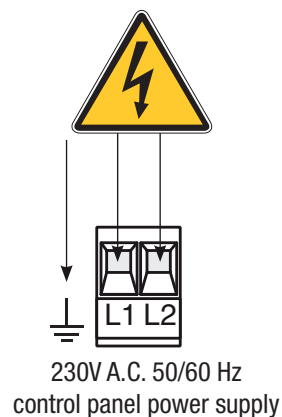


Standard opening setup scheme in Came gearmotors.



When using only one motor (e.g. on one leaf gates), connect it up on W X Y (M2) regardless of which side it is installed on – (fro FROG, if need be, invert connections X and Y).

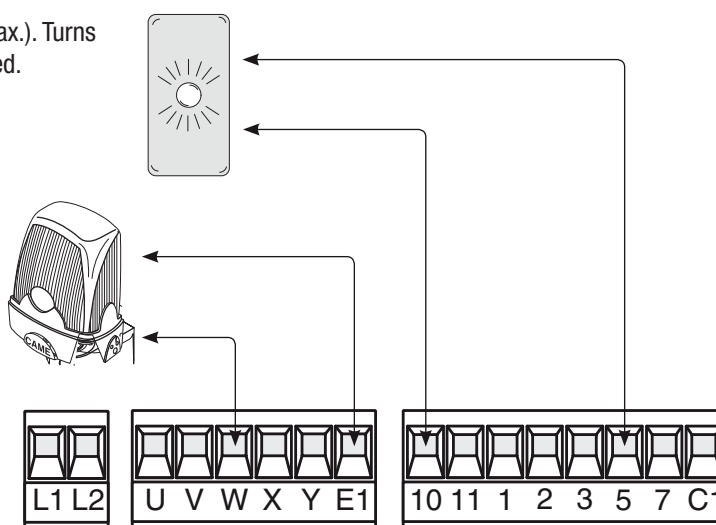
Accessories power supply



Signalling and lighting devices

Open gate light-indicator (Socket rating: 24V A.C. - 3W max.). Turns on when the gate is open. It turns off when the gate is closed.

Flashing light (Socket rating: 230V A.C. - 25W max.)
- Flashes during opening and closing phases.



Control devices

Stop button (N.C. contact)

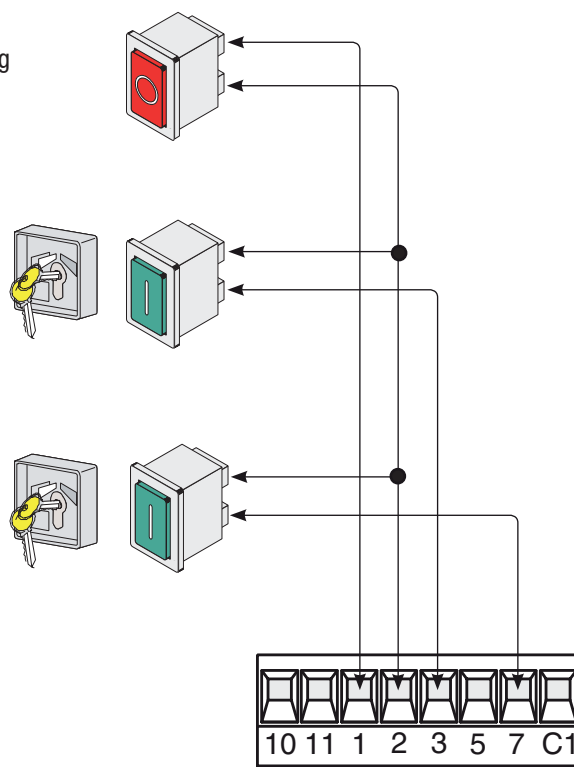
- Button to stop the gate which immediately cuts-out the automatic closing cycle; to restore the movement press the control button or the transmitter button.

Keyswitch and/or open button (N.O. contact)

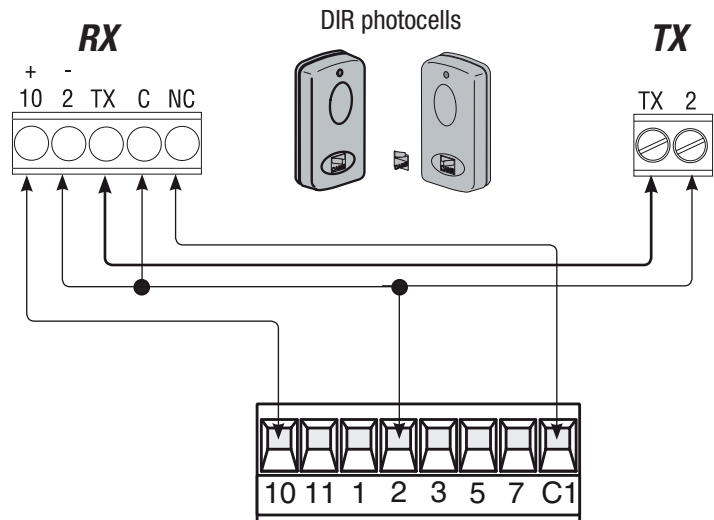
- Gate opening command.

Keyswitch and/or comand button (N.O. contact)

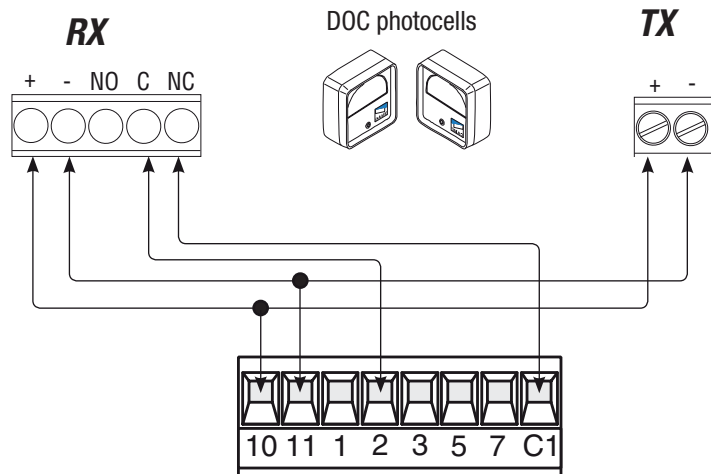
- Gate opening/closing command. By pressing the button or turning the selector key.



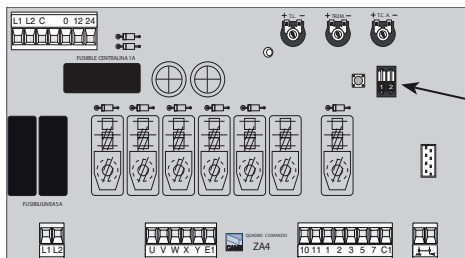
(N.C.) contact for «re-opening during closing»
 - Input for safety devices such as photocells, sensitive edges and other EN 12978-compliant devices. During the gate leaves closing phase, opening the contact causes movement inversion until fully opened.



(N.C.) contact for «re-opening during closing»

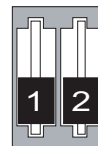


7 Selecting functions



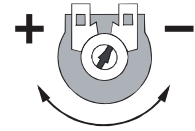
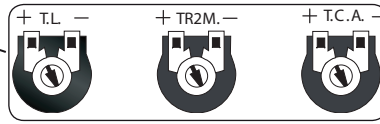
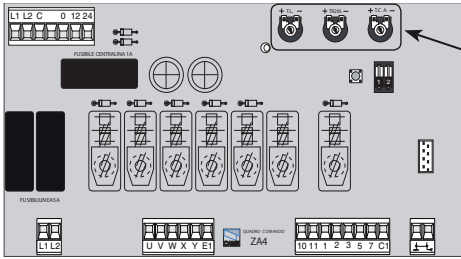
DIP-SWITCH 2 WAYS

ON
OFF



- 1 ON "Operator present", gate operates only when the pushbutton is held down (the radio remote control system is deactivated) enabled; (1 OFF - disabled);
- 2 ON "Automatic closing" enabled; (2 OFF - disabled).

8 Adjustments



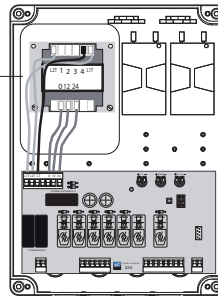
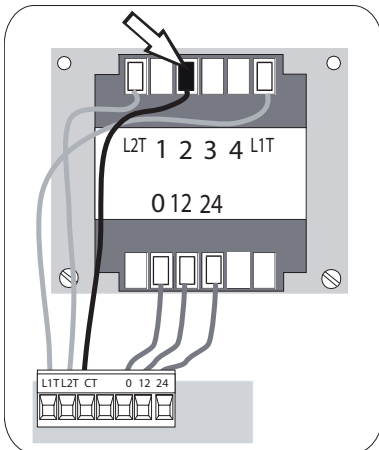
Trimmer T.L. = Adjusting the working time from 5" to 50".

Trimmer TR2M = Closing delay regulation for the 2nd motor (M2) from a minimum of 1" to a maximum of 10".

Trimmer T.C.A. = Adjusting the automatic closing from 3" to 130".

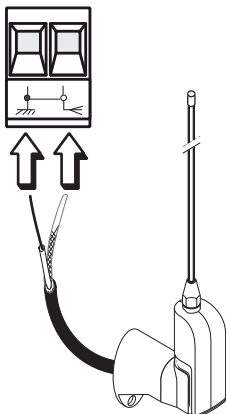
9 Motor torque limiter

To vary the motor torque, shift the shown faston to one of the 4 positions: 1 min., 4 max.



10 Activating the radio control

Antenna

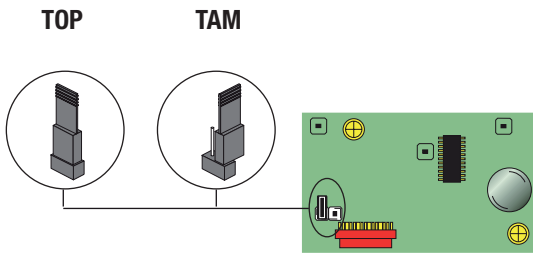


Connect the antenna's RG58 cable to the apposite terminals.

Radio frequency card

Only for cards marked on the table:

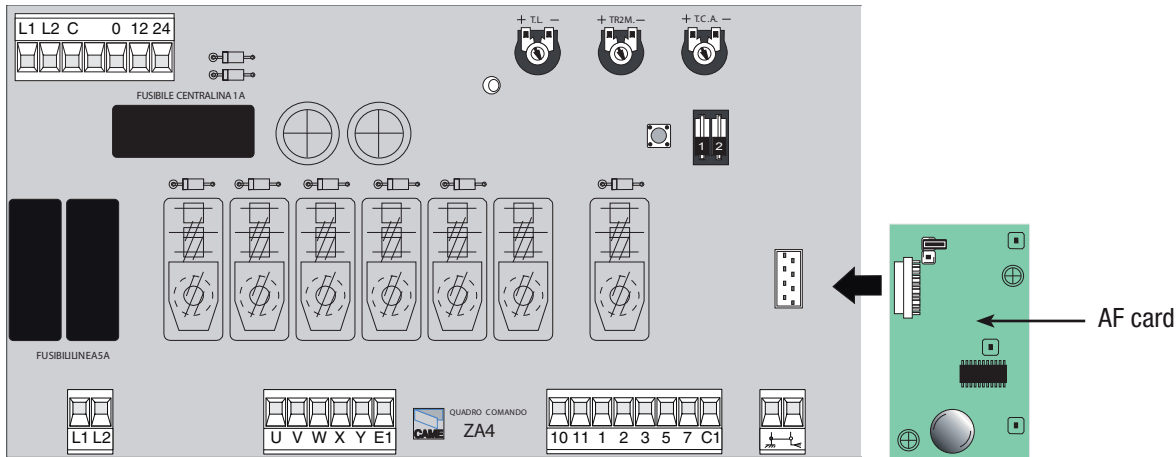
- place the jumper as shown depending on the series of transmitters used. (see diagram).



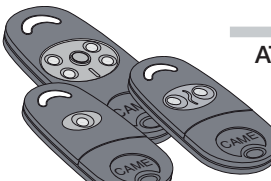
Frequency/Mhz	Radio frequency card	Transmitters series
FM 26.995	AF130	TFM
FM 30.900	AF150	TFM
AM 433.92	AF43S/AF43SM	TAM/TOP
	AF43SR	ATOMO

Lock the radiofrequency card into the electronic card AFTER CUTTING OFF THE POWER SUPPLY (or after disconnecting the batteries).

N.B.: The control board only recognises the radiofrequency card when the power is on.



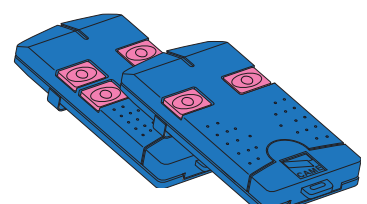
Transmitters



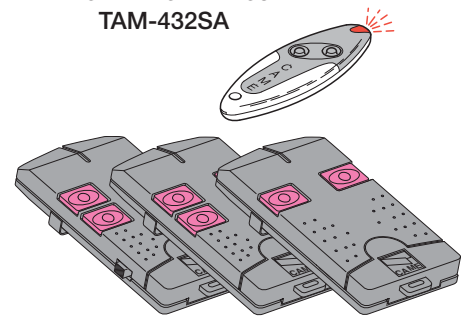
ATOMO
AT01 • AT02
AT04

see instructions attached to
AF43SR card

TOP
TOP-432A • TOP-434A

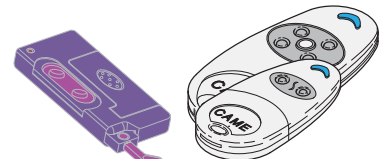


TAM
T432 • T434 • T438
TAM-432SA

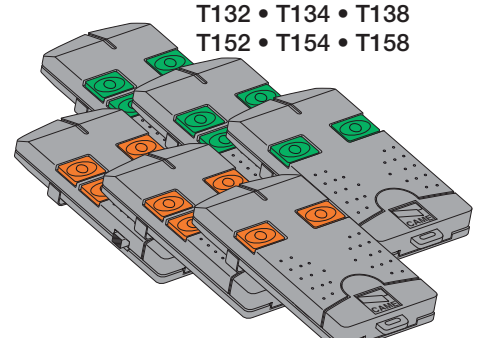


see attached instructions

TOP
TOP-432NA • TOP-434NA
TOP-432S

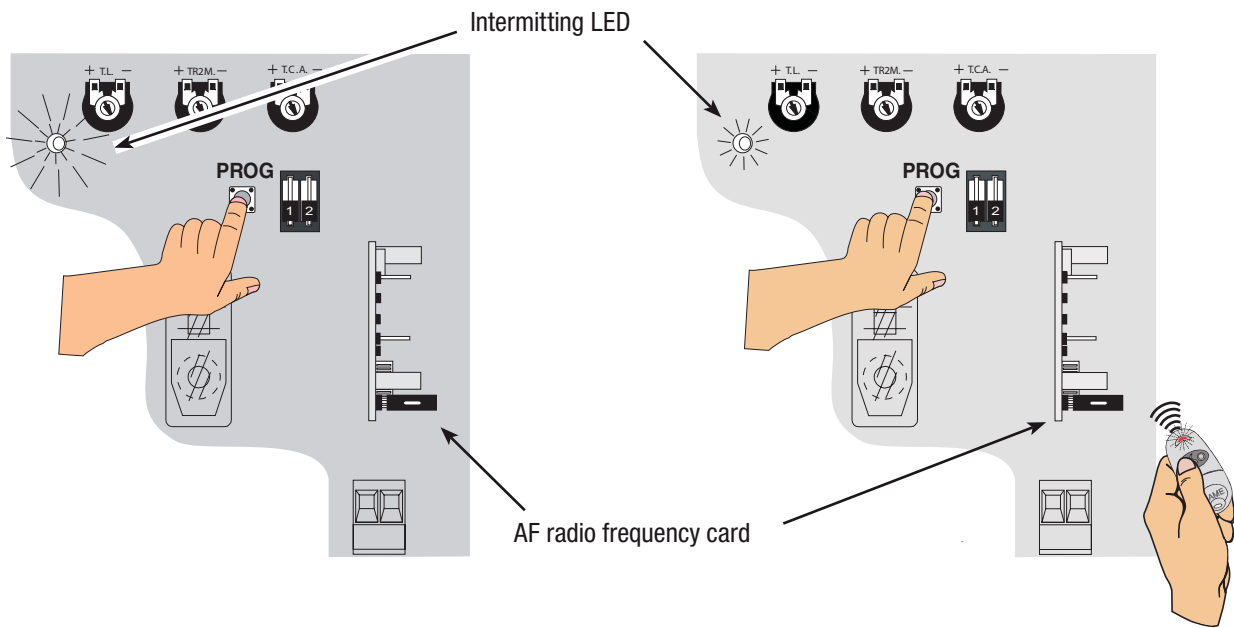


TFM
T132 • T134 • T138
T152 • T154 • T158



Memorisation

Keep the "PROG" button pressed on the base board (the signal led will flash), the code is sent by a transmitter button and the led remains alight to signal that it has been stored (see the figure).



In its premises, CAME CANCELLI AUTOMATICI S.p.A. implements an Environmental Management System certified in compliance with the UNI EN ISO 14001 standard to ensure environmental protection. Please continue our efforts to protect the environment—which CAME considers one of the cardinal elements in the development of its operational and market strategies—simply by observing brief recommendations as regards disposal:

DISPOSAL OF PACKAGING

The packaging components (cardboard, plastic, etc.) are all classifiable as solid urban waste products and may be disposed of easily, keeping in mind recycling possibilities.

Prior to disposal, it is always advisable to check specific regulations in force in the place of installation.

PLEASE DISPOSE OF PROPERLY!

PRODUCT DISPOSAL

Our products are made up of various types of materials. Most of them (aluminium, plastics, iron, electrical wires, etc.) may be disposed of in normal garbage collection bins and can be recycled by disposing of in specific recyclable material collection bins and disposal in authorized centres. Other components (electrical boards, remote control batteries, etc.), however, may contain polluting substances. They should therefore be removed and given to qualified service companies for proper disposal.

Prior to disposal, it is always advisable to check specific regulations in force in the place of disposal.

PLEASE DISPOSE OF PROPERLY!

12 Conformity declaration



MANUFACTURER'S DECLARATION

As per Enclosure II A of Directive 2006/95/CE

The representatives of

CAME Cancelli Automatici S.p.A.
via Martiri della Libertà, 15
31030 Dosson di Casier - Treviso - ITALY
tel (+39) 0422 4940 - fax (+39) 0422 4941
internet: www.came.it - e-mail: info@came.it

Hereby declare, under their own responsibility, that the product/s called ...

ZA4N

... complies with the provisions of the following Directives

2006/95/CE - Direttiva Bassa Tensione
2004/108/CE - Direttiva Compatibilità Elettromagnetica

Also, they furthermore represent and warrant that the product/s that are the subject of the present Declaration are manufactured in the respect of the following main harmonized provisions:

EN 60335-1 / EN 60335-2-103 / EN 13241-1 / EN 61000-6-2 / EN 61000-6-3

Managing Director
Mr. Gianni Michielan

CAME France S.a. 7, Rue Des Haras Z.i. Des Hautes Patures 92737 Nanterre Cedex ☎ (+33) 1 46 13 05 05 📠 (+33) 1 46 13 05 00	FRANCE	GERMANY	CAME Gmbh Kornwestheimer Str. 37 70825 Korntal Munchingen Bei Stuttgart ☎ (+49) 71 5037830 📠 (+49) 71 50378383
CAME Automatismes S.a. 3, Rue Odette Jasse 13015 Marseille ☎ (+33) 4 95 06 33 70 📠 (+33) 4 91 60 69 05	FRANCE	GERMANY	CAME Gmbh Seefeld Akazienstrasse, 9 16356 Seefeld Bei Berlin ☎ (+49) 33 3988390 📠 (+49) 33 39883985
CAME Automatismos S.a. C/juan De Mariana, N. 17-local 28045 Madrid ☎ (+34) 91 52 85 009 📠 (+34) 91 46 85 442	SPAIN	U.A.E.	CAME Gulf Fze Office No: S10122a2o210 P.O. Box 262853 Jebel Ali Free Zone - Dubai ☎ (+971) 4 8860046 📠 (+971) 4 8860048
CAME United Kingdom Ltd. Unit 3 Orchard Business Park Town Street, Sandiacre Nottingham - Ng10 5du ☎ (+44) 115 9210430 📠 (+44) 115 9210431	GREAT BRITAIN	RUSSIA	CAME Russia Umc Rus Llc Ul. Otradnaya D. 2b, Str. 2, office 219 127273, Moscow ☎ (+7) 495 739 00 69 📠 (+7) 495 739 00 69 (ext. 226)
CAME Group Benelux S.a. Zoning Ouest 7 7860 Lessines ☎ (+32) 68 333014 📠 (+32) 68 338019	BELGIUM	CHINA	CAME (Shanghai) Automatic Gates Co. Ltd. 1st Floor, Bldg 2, No. 1755, South Hongmei Road Shanghai 200237 ☎ (+86) 021 61255005 📠 (+86) 021 61255007
CAME Americas Automation Llc 11405 NW 122nd St. Medley, FL 33178 ☎ (+1) 305 433 3307 📠 (+1) 305 396 3331	U.S.A	PORTUGAL	CAME Portugal Ucj Portugal Unipessoal Lda Rua Júlio Dinis, N. 825, 2esq 4050 327 Porto ☎ (+351) 915 371 396

English - Manual code: 319V08 ver. 1.0 05/2009 © CAME cancelli automatici s.p.a.
 The data and information reported in this installation manual are susceptible to change at any time and without obligation on CAME cancelli automatici s.p.a. to notify users.

CAME Cancelli Automatici S.p.a.
 Via Martiri Della Libertà, 15
 31030 **Dosson Di Casier** (Tv)
 ☎ (+39) 0422 4940
 📠 (+39) 0422 4941
 Informazioni Commerciali 800 848095

ITALY

ITALY

CAME Sud s.r.l.
 Via F. Imperato, 198
 Centro Mercato 2, Lotto A/7
 80146 **Napoli**
 ☎ (+39) 081 7524455
 📠 (+39) 081 7529190

CAME Service Italia S.r.l.
 Via Della Pace, 28
 31030 **Dosson Di Casier** (Tv)
 ☎ (+39) 0422 383532
 📠 (+39) 0422 490044
Assistenza Tecnica 800 295830

ITALY